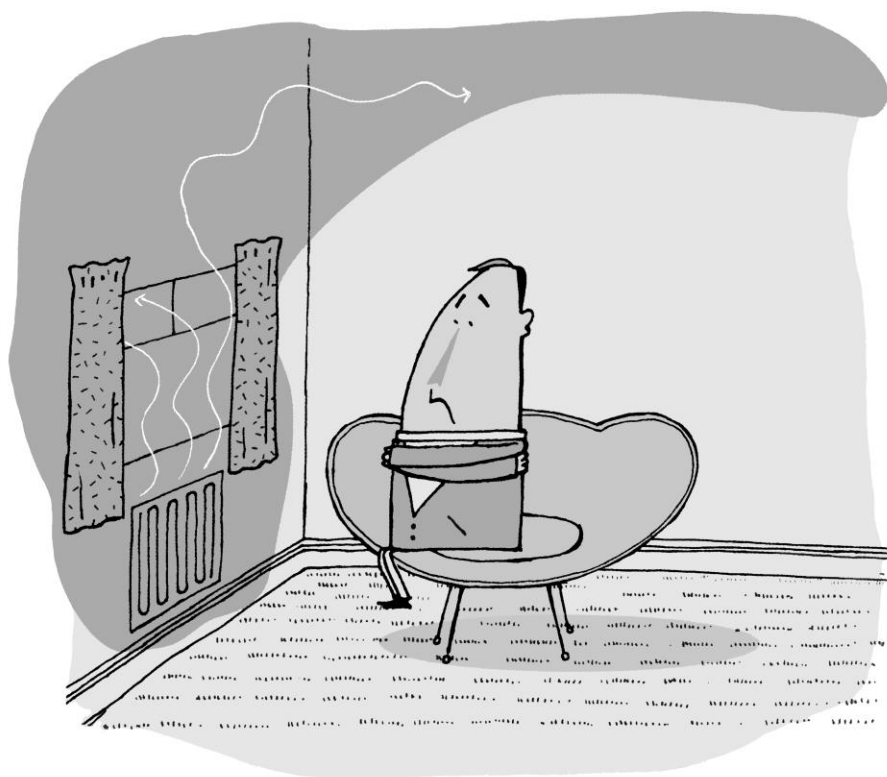




radfan

Instruction Manual



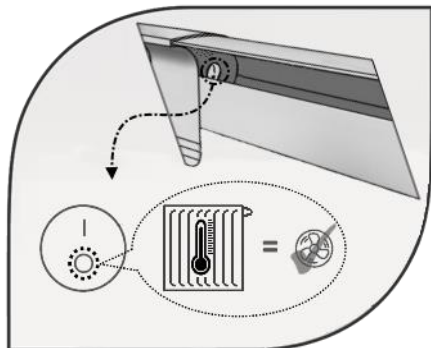
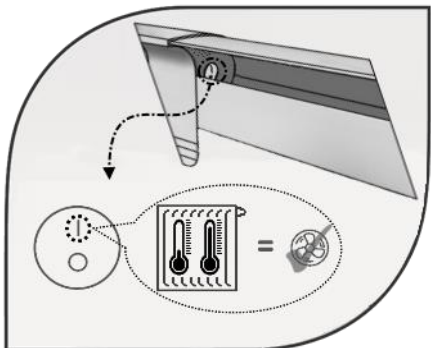
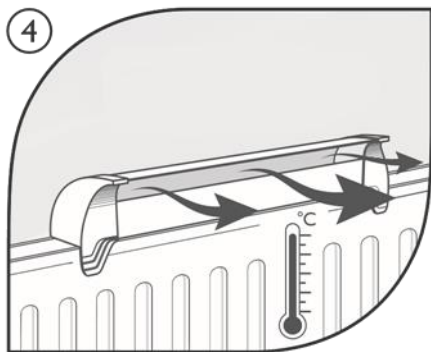
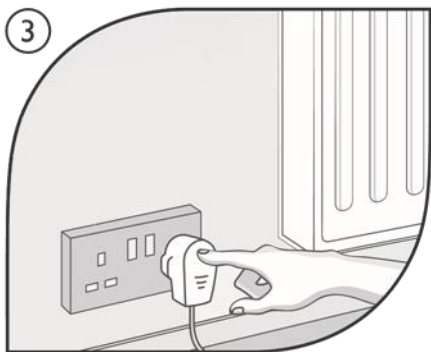
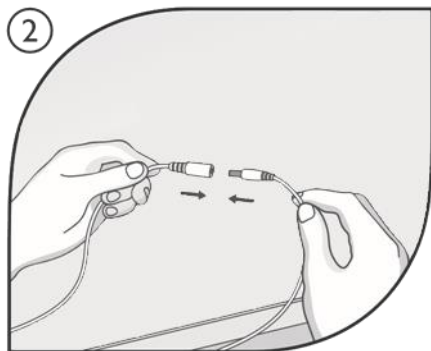
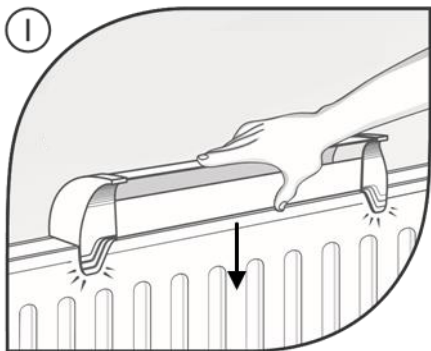
Radfan / Radfan Extra



+



SUMMER and WINTER use



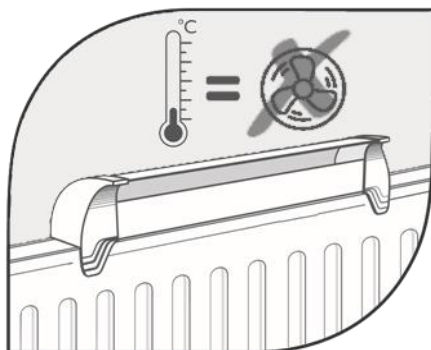
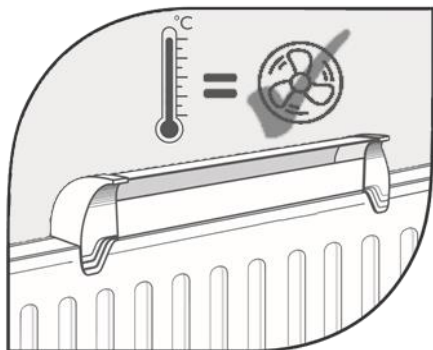
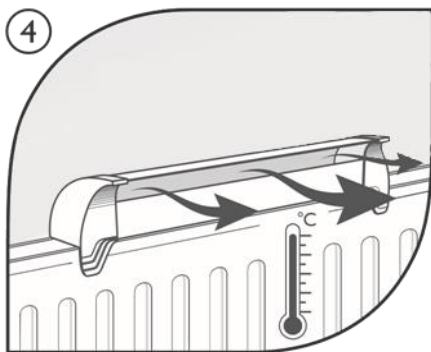
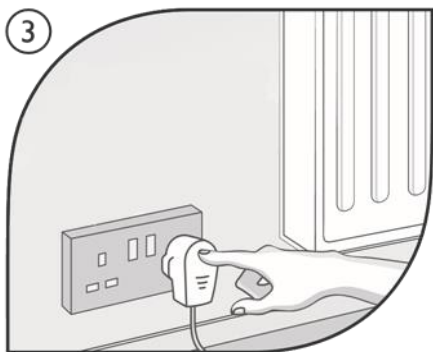
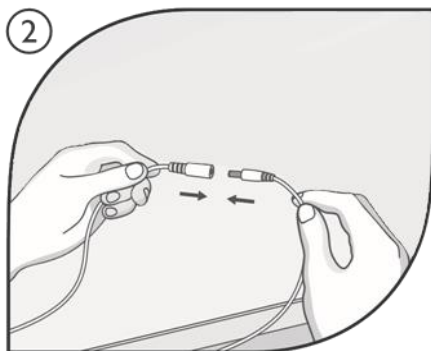
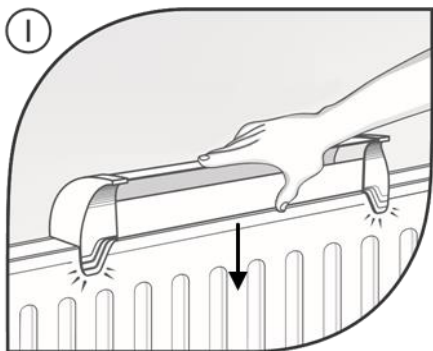
SUMMER and WINTER use:
Fans always on.

WINTER use:
Fans only on when radiator warm.

Classic



WINTER use



Application

- When mounting the Radfan/Radfan Extra gently push the unit down to ensure it is sitting properly in contact with the top of the radiator, as otherwise the front magnets may be holding the device away from the top of the radiator surface.
- The Radfan Classic incorporates a thermostat which only allows the fans to function when the radiator is warm and the Radfan has itself reached proper working temperature.
- The Radfan Extra incorporates a Summer/Winter switch allowing the user to by-pass the internal thermostat so that the fans are always on when the power supply is plugged in and switched on.

Maintenance

- Before cleaning the Radfan/Radfan Extra always disconnect from the mains power.
- Do not use detergent or abrasive cleaning solutions, as these may damage the unit.
- Only use a damp cloth to clean the unit or dry cloth to remove any dust.

Safety Notes

- The Radfan products have been designed for use on standard UK-style water-filled steel panel radiators only – DO NOT place the appliance on any other heating device.
- The temperature at the top of your radiators must not be allowed to exceed a maximum of 75 degrees C to avoid damaging or reducing the life of your Radfan. If in doubt please test the temperature at the top of your radiators using a reputable digital kitchen meat thermometer.
- Do not use the appliance in a bathroom, shower room, wetroom or near any other water source.
- Do not use any other power adaptor other than the one provided with the Radfan.
- If the unit appears faulty do not attempt to use it and do not attempt to repair it yourself - consult your supplier for guidance.
- This appliance is not intended for use by persons (including children) with reduced physical, sensory or mental capabilities, or lack of experience or knowledge, and children must not play with the appliance.

Important

Mains Power Supply:	230v 50Hz
Transformed to:	12v d.c. 500mA
Power Usage:	2 fan model – 1.5W
	3 fan model – 2W
	4 fan model – 2.5W
	6 fan model – 4W

This product is designed to be plugged in to a UK power supply (230v @ 50Hz) and is fitted with a UK-style 3-pin plug.

The appliance itself runs off 12v d.c. provided by the plug-in transformer.



This product is marked according to the European Directive (2012/19/EU) on Waste Electrical and Electronic Equipment (WEEE). This symbol indicates that this product must not be disposed of with normal household waste. Please protect the environment by disposing of this product responsibly in the correct manner.

For further help and advice on this product please contact your supplier.

